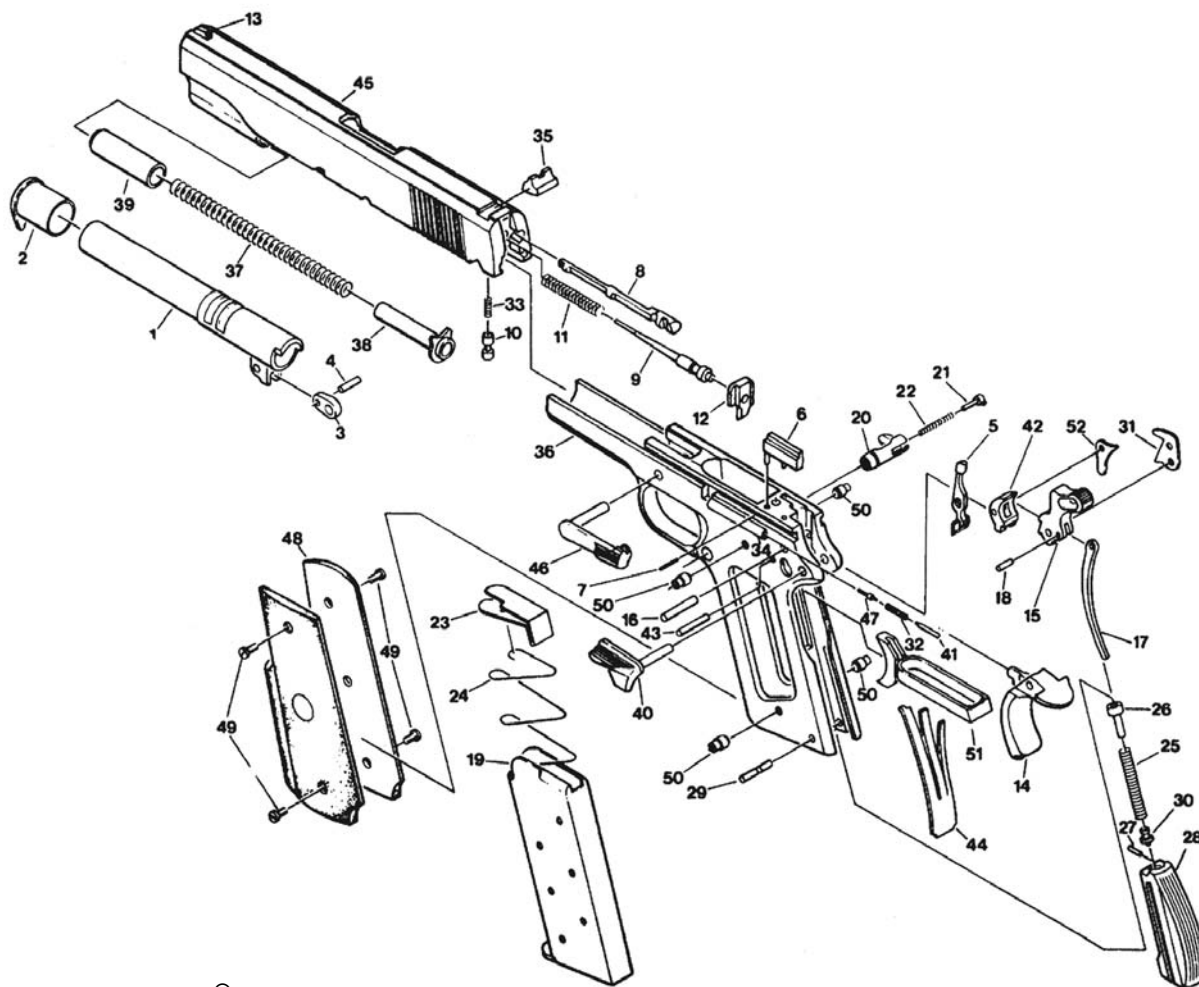


Model O™



Government Model®

- | | | |
|------------------------|--------------------------------------|-----------------------------|
| 1. Barrel | 19. Magazine Assembly | 37. Recoil Spring |
| 2. Barrell Bushing | 20. Magazine Catch | 38. Recoil Spring Guide |
| 3. Barrel Link | 21. Magazine Catch Lock | 39. Recoil Spring Plug |
| 4. Barrel Link Pin | 22. Magazine Catch Spring | 40. Safety Lock |
| 5. Disconnecter | 23. Magazine Follower | 41. Safety Lock Plunger |
| 6. Ejector | 24. Magazine Spring | 42. Sear |
| 7. Ejector Pin | 25. Main Spring | 43. Sear Pin |
| 8. Extractor | 26. Main Spring Cap | 44. Sear Spring |
| 9. Firing Pin | 27. Main Spring Cap Pin | 45. Slide |
| 10. Firing Pin Plunger | 28. Main Spring Housing (arched) | 46. Slide Stop |
| 11. Firing Pin Spring | 29. Main Spring Housing Pin | 47. Slide Stop Plunger |
| 12. Firing Pin Stop | 30. Main Spring Housing Pin Retainer | 48. Stock Set |
| 13. Front Sight | 31. Plunger Lever | 49. Stock Screw (4) |
| 14. Grip Safety | 32. Plunger Spring | 50. Stock Screw Bushing (4) |
| 15. Hammer | 33. Plunger Spring F/P | 51. Trigger Assembly |
| 16. Hammer Pin | 34. Plunger Tube | 52. Trigger Bar Lever |
| 17. Hammer Strut | 35. Rear Sight | |
| 18. Hammer Strut Pin | 36. Receiver | |

