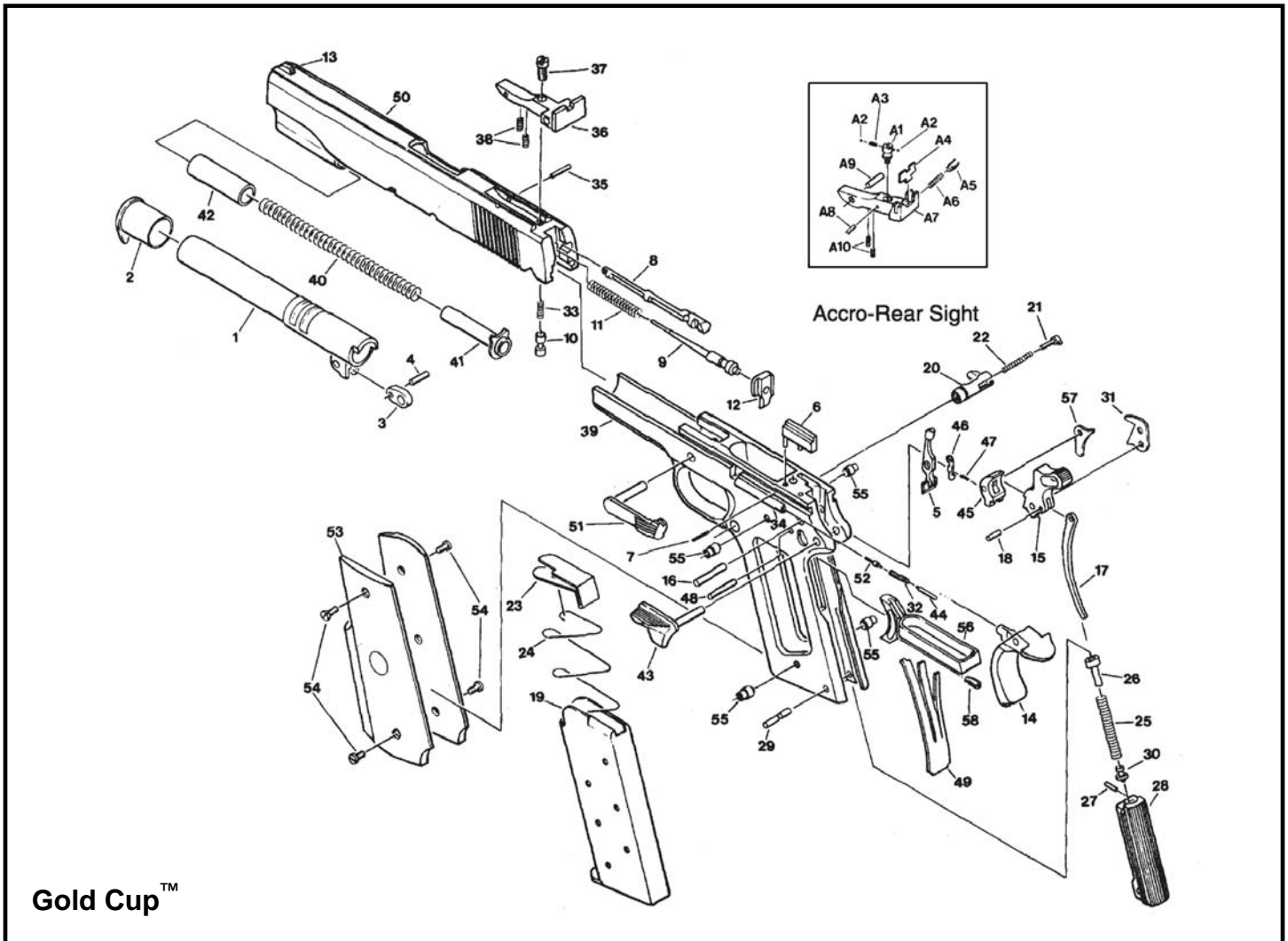


# Model O



Gold Cup™

- |                        |                                      |  |                                 |
|------------------------|--------------------------------------|--|---------------------------------|
| 1. Barrel              | 20. Magazine Catch                   | 40. Recoil Spring (2 different springs for Delta Gold Cup™)<br>(Choice of springs for 45 cal. National Match®) |                                 |
| 2. Barrel Bushing      | 21. Magazine Catch Lock              | 41. Recoil Spring Guide  | A1. Rear Sight Elev. Screw      |
| 3. Barrel Link         | 22. Magazine Catch Spring            | 42. Recoil Spring Plug   | A2. Rear Sight Det. Ball (2)    |
| 4. Barrel Link Pin     | 23. Magazine Follower                | 43. Safety Lock  | A3. Rear Sight Det. Spring      |
| 5. Disconnecter        | 24. Magazine Spring                  | 44. Safety Lock Plunger  | A4. Rear Sight Leaf             |
| 6. Ejector             | 25. Main Spring                      | 45. Sear   | A5. Rear Sight Windage Screw    |
| 7. Ejector Pin         | 26. Main Spring Cap                  | 46. Depressor  | A6. Rear Sight Windage Spring   |
| 8. Extractor           | 27. Main Spring Cap Pin              | 47. Depressor Spring   | A7. Rear Sight Blade            |
| 9. Firing Spring       | 28. Main Spring Housing              | 48. Sear Pin   | A8. Rear Sight Elev. Screw Pin  |
| 10. Firing Pin Plunger | 29. Main Spring Housing Pin          | 49. Sear Spring  | A9. Rear Sight Leaf Pm          |
| 11. Firing Pin Spring  | 30. Main Spring Housing Pin Retainer | 50. Slide  | A10. Rear Sight Elev. Screw (2) |
| 12. Firing Pin Stop    | 31. Plunger Lever                    | 51. Slide Stop   |                                 |
| 13. Front Sight        | 32. Plunger Spring                   | 52. Slide Stop Plunger   |                                 |
| 14. Grip Safety        | 33. Plunger Spring F/P               | 53. Stock Set  |                                 |
| 15. Hammer             | 34. Plunger Tube                     | 54. Stock Screw (4)  |                                 |
| 16. Hammer Pin         | 35. Rear Sight Leaf Pin              | 55. Stock Screw Bushing (4)  |                                 |
| 17. Hammer Strut       | 36. Rear Sight Leaf                  | 56. Trigger Assembly   |                                 |
| 18. Hammer Strut       | 37. Rear Sight Elevation Screw       | 57. Trigger Bar Lever  |                                 |
| 19. Magazine Assembly  | 38. Rear Sight Elevation Spring (2)  | 58. Trigger Stop   |                                 |
|                        | 39. Receiver                         |  |                                 |

